

Watchdog 100/Watchdog 100-P

Compact Package offering climate monitoring and relay control with several mounting and wire management options

- Monitor temperature, humidity & dew point
- Four analog inputs for dry-contact or 0-5 VDC sensors
- Digital sensor port (connect up to 4 sensors using splitters)
- Set alerts via email, email-to-SMS, SNMP and voice†
- Relay output for external device control
- Control relay via alarm or manually through web

The Watchdog 100 is a self-contained unit with on-board temperature and humidity/dew-point sensors. It has four analog inputs and supports up to 4 digital sensors (using a splitter). There is a relay output for triggering external devices, such as an auto-dialer.

The Watchdog 100 allows users to keep an eye on remote conditions from a secure web interface and receive SNMP, E-mail, text message and voice call† alert notifications when user-adjustable thresholds are exceeded.

Web Interface

Only a web browser is needed to access and configure the Watchdog 100. The web interface provides a remote user with real-time sensor readings with graphs*, access to logs and manual control features. Access to these and other functions is protected by up to three access account levels. The Watchdog 100 provides encryption for secure communication with web browsers using HTTPS.

Other Access Methods

Besides web access, there are several methods to access sensor data from the unit. Current sensor readings and meta-tagged system info is available in XML. Logged data can be downloaded as a CSV file that can be viewed with spreadsheet software.

The device also supports SNMP (v1, v2c, v3*). This allows dozens of Network Monitoring programs such as HP OpenView, IP Sentry, MRTG, or What's Up Gold (Ipswitch) to easily add the Watchdog 100 to the list of monitored devices.

Alarms

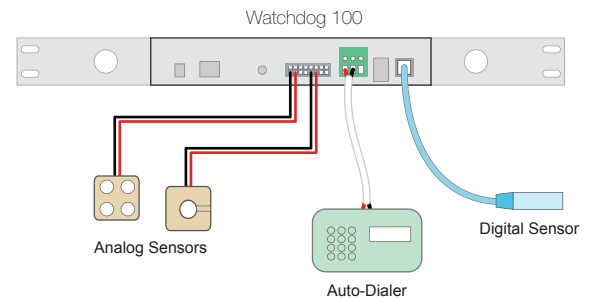
A user sets alarm thresholds (up to 50) to define sensor boundaries and indicate what to do if there is a problem. Multiple thresholds are assigned to a sensor for alarm escalation.



Watchdog 100 is a compact, low cost climate monitor with relay output.



The mounting brackets can be repositioned or removed to simplify installation.



This diagram shows how remote sensors and an external device connect to the unit.

Overview	
Watchdog 100 [TestRack]	
Temperature	75.32 °F
Humidity	38 %
Dewpoint	47.94 °F
A11	99.01
A12	99.11
A13	99.01
A14	99.11

The "Overview" page of the web interface provides real-time sensor values.

Relay Settings				
Relay	Relay Name	Energized	De-energized	Mode
Relay-1	Relay1	Energized	De-energized	<input type="checkbox"/> Latching
[Save Changes]				
Manual Override				
Relay	Status	Action		
Relay1	De-energized	[Do Nothing]		
[Execute]				

Watchdog 100/Watchdog 100-P

Specifications

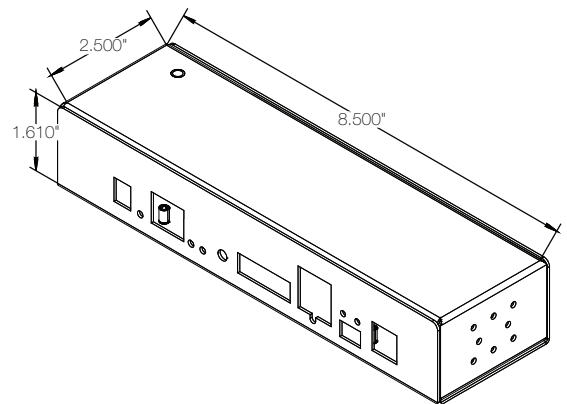
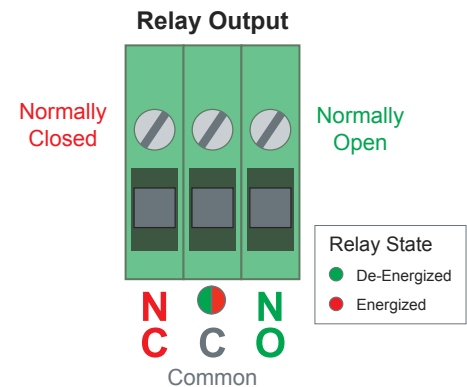
On-Board Sensors	
Temperature	
Range	-20 to 85°C ††
Accuracy (typical)	± 0.3°C
Accuracy (minimum)	see graph
Relative Humidity	
Range	0 to 100% RH
Accuracy (typical)	± 2.0% RH
Accuracy (minimum)	(see graph)
Dewpoint	Calculated value, based on temperature & humidity

External Sensors	
Digital Sensor Ports	1
Max Digital Sensor Capacity	4
Analog Sensor Ports	4
Max Analog Sensor Capacity	4
Max Analog Input Range	0 to 5VDC, voltage-source or dry-contact
Relay Outputs	1 dry-contact, SPDT
Relay Max. Switching	60VDC @ 0.5A / 30VAC(rms) @ 1A

Hardware Features	
Ethernet	10/100
Power	
Input	6 – 12VDC
Power Supply Options	North American, British (UK), "universal" (US/UK/Europe/Australia plug set), None
Power Over Ethernet	IEEE802.3af (Watchdog 100P only)
"Reset" Button	Clear IP address & passwords, or restore all to factory defaults
Physical	
Dimensions (WxHxD)	8.5"W (21.6 cm) x 2.5"D (6.35 cm) x 1.13"H (2.87 cm) (19"W (48.26cm) with included mounting brackets)
Weight	2 lbs (0.9 kg)
Mounting	Use provided brackets

Firmware	
Real Time Sensor Data Feeds	GUI, SNMP, XML
Environment Monitoring	Logging & Graphing, CSV Data Logs, Event Log
Interface with IP Surveillance Cameras	
Alarms	Alarm Escalations, Alarm Repeat & Delay, Business Hours
Web Access	Encryption via TLS/SSL (HTTPS), 3 Access Account Levels
SNMP Support	Versions (v1, v2c, v3), Trap Alerts (Trip / Clear)
Email	Email & Emails-to-SMS Alerts, Periodic Email Status Reports, ESMTP Authentication, SSL/TLS Encryption
Localization	Multiple Languages (English, French, German, Spanish, Chinese, Japanese), Display in °F or °C
US Measurements	
Protocols	IPv4, HTTP / HTTPS, DHCP, NTP, Syslog, Ping
Additional Features	Friendly Names Per Sensor, Configuration Backup, Remote Configuration & Firmware Updates
Warranty	1 Year Standard Warranty

†† operating range of standard 6V power supply is 0-50°C. Operation across wider range requires an alternative 6V power supply with extended temperature range.



Please note the information contained herein is for informational purposes only. Technical claims listed depend on a series of technical assumptions. Your experience with these products may differ if you operate the products in an environment, which is different from the technical assumptions. Geist reserves the right to modify these specifications without prior notice. Geist makes no warranties, express or implied, on the information contained in this document.

10014301

Geist Americas

800.432.3219
geistglobal.com

Geist DCIM
1.877.449.4150
geistglobal.com

Geist Europe

+44 (0) 1823 275100
geistglobal.com

Geist Asia

China
+86.755.86639505
geistglobal.com

Hong Kong
+852 90361927
geistglobal.com