



Watchdog 1250

Web-enabled environment monitor for equipment and server rooms with built-in climate sensors, ports for external sensors, LCD display and an alarm horn.

- Accessible through a web browser
- Five built-in sensors
- Three analog inputs for 0-5 VDC sensors
- Five digital sensor ports for Geist external sensors
- LCD display cycles through sensor readings
- Multi level alarms with escalation
- Alarm notifications sent by email and SNMP
- Audible horn triggered by alarm

This self-contained unit continually monitors climate conditions and displays them via an internally-generated web page. These values are graphed for easily seen trends. The LCD display on the front of the unit cycles through the values. If user-defined thresholds are exceeded, alarms can be sent via e-mail, audio alarm, or SNMP trap. Installation is simple using an intuitive web interface. All a user needs is a standard web browser (e.g Firefox, Internet Explorer).

Web Interface

The web interface is the primary way to interact with the Watchdog 1250. This interface allows a user to remotely check the status of the environment, view graphs of logged data and see web cam images.

Configuration and administration of the unit is done through the web interface. Access is user name and password protected. SSL encryption can be used for added security through the HTTPS capabilities in browsers.

The firmware running on the Watchdog 1250 is updated through the web interface.

Other Access Methods

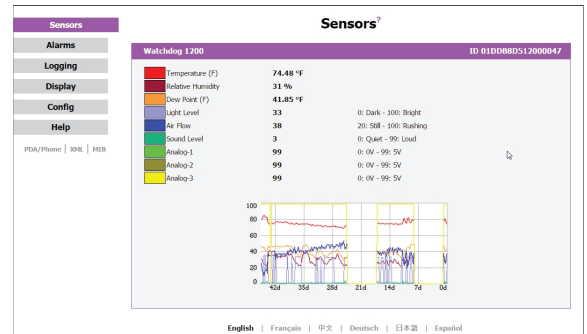
Besides web access, there are a variety of methods that can also be used for obtaining sensor data from the unit, Current sensor readings are available in XML or through SNMP. Logged data can be downloaded as a CSV files.

The device also supports SNMP (v1, v2c, v3). This allows dozens of Network Monitoring programs such as HP OpenView, IP Sentry, MRTG, or What's Up Gold (Ipswitch) to easily add the Watchdog 1250 to the list of monitored devices.



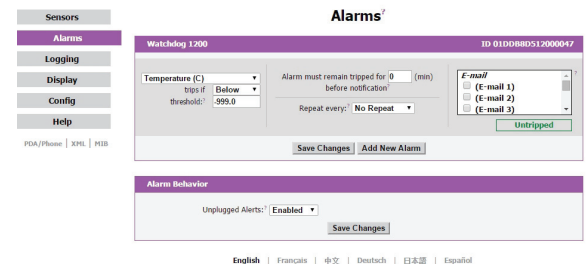
The Watchdog 1250 occupies a 1U space and contains a complete set of internal sensors. A variety of remote sensors are easily added.

Web Interface-Sensor Page



A web page displays the current values with graphs showing trends. This unit has a digital remote sensor attached.

Web Interface-Alarms Page



Alarm thresholds are user-configured through the web interface. A sensor can have several thresholds set.

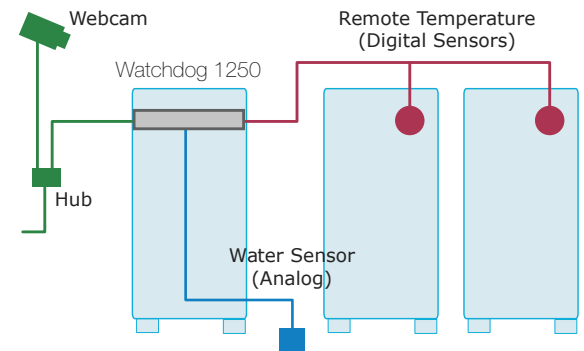
Watchdog 1250

Specifications

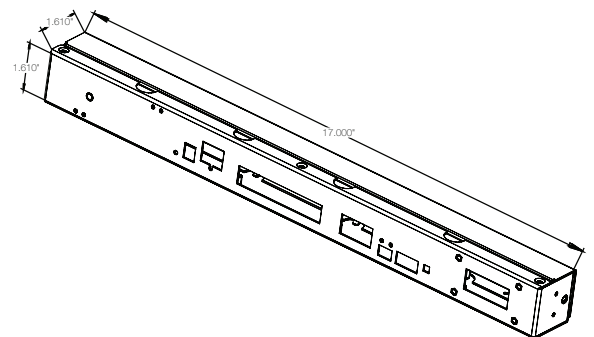
On-Board Sensors	
Temperature	
Range	-10 to 60°C ††
Accuracy (typical)	± 1°C
Accuracy (minimum)	(see graph)
Relative Humidity	
Range	0 to 100% RH
Accuracy (typical)	± 3.0% RH
Accuracy (minimum)	(see graph)
Dewpoint	Calculated value, based on temperature & humidity
Light Level	CdS photocell, uncalibrated (no fixed scale)
Sound Level	Peak detector, uncalibrated (no fixed scale)
Airflow	Thermal anemometer, uncalibrated (no fixed scale)
External Sensors	
Digital Sensor Ports	5
Max Digital Sensor Capacity	16
Analog Sensor Ports	3
Max Analog Sensor Capacity	3
Max Analog Input Range	0 to 5VDC, voltage-source or dry-contact
Hardware Features	
Ethernet	10/100
Power	
Input	6 – 12VDC
Power Supply Options	North American, British, Universal, None
"Reset" Button	Restore Factory Defaults
LCD Display	User-selectable display of current sensor readings (WatchDog-1250 only)
Piezo Alarm Buzzer	Activated by user-set alarm thresholds (WatchDog-1250 only)
Alarm Silencer Button	(WatchDog-1250 only)
Physical	
Dimensions (WxHxD)	19"W (48.26cm) x 2.5"D (6.35 cm) x 1.13"H (2.87 cm) (with included mounting brackets)
Weight	2 lbs (0.9 kg)
Mounting	Use brackets provided
Firmware	
Real Time Sensor Data Feeds	GUI, SNMP, XML
Environment Monitoring	Logging & Graphing, CSV Data Logs, Event Log
Interface with IP Surveillance Cameras	
Alarms	Alarm Escalations, Alarm Repeat & Delay, Business Hours
Web Access	Encryption via TLS/SSL (HTTPS), 3 Access Account Levels
SNMP Support	Versions (v1, v2c, v3), Trap Alerts (Trip / Clear)
Email	Email & Emails-to-SMS Alerts, Periodic Email Status Reports, ESMTP Authentication, SSL/TLS Encryption
Localization	Multiple Languages (English, French, German, Spanish, Chinese, Japanese), Display in °F or °C

US Measurements	
Protocols	IPv4, HTTP / HTTPS, DHCP, NTP, Syslog, Ping
Additional Features	Friendly Names Per Sensor, Configuration Back-up, Remote Configuration & Firmware Updates
Warranty	1 Year Standard Warranty

Monitoring Multiple Cabinets



A Watchdog 1250 uses remote temperature sensors to monitor multiple cabinets. A water sensor checks for water leaks and a web cam provides remote images of the room.



Please note the information contained herein is for informational purposes only. Technical claims listed depend on a series of technical assumptions. Your experience with these products may differ if you operate the products in an environment, which is different from the technical assumptions. Geist reserves the right to modify these specifications without prior notice. Geist makes no warranties, express or implied, on the information contained in this document.

10014501

Geist Americas

800.432.3219
geistglobal.com

Geist DCIM
1.877.449.4150
geistglobal.com

Geist Europe

+44 (0) 1823 275100
geistglobal.com

Geist Asia

China
+86.755.86639505
geistglobal.com

Hong Kong
+852 90361927
geistglobal.com